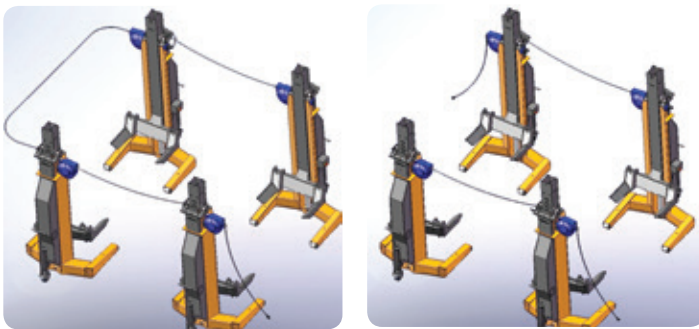


## Wireless Heavy Vehicle Hoists

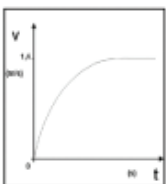
EHB908 Wireless - Column Lift for Heavy Vehicles

### Mobile Column Lift EHB908 DC Wireless

- Wireless communication via radio control.
- Power supply by deep cycle batteries, maintenance-free.
- Easy battery charging with only one power source per lift set.
- Operation during charging, allowing for full battery standby.
- Wireless remote control with LCD display, for operation of up to 8 columns.
- Simple and quick charging system of batteries
- Hydraulic drive
- Adjustable wheel forks to suit tyre sizes from  $\varnothing$  550-1140mm
- Can operate in single, pairs, or groups



Simple and quick charging of batteries. Columns can be charged by linking all together or each directly at the mains.



Softstart, smooth and continuous synchronisation.





Scissor & 4 Post Hoists



Hartex Pit Jacks

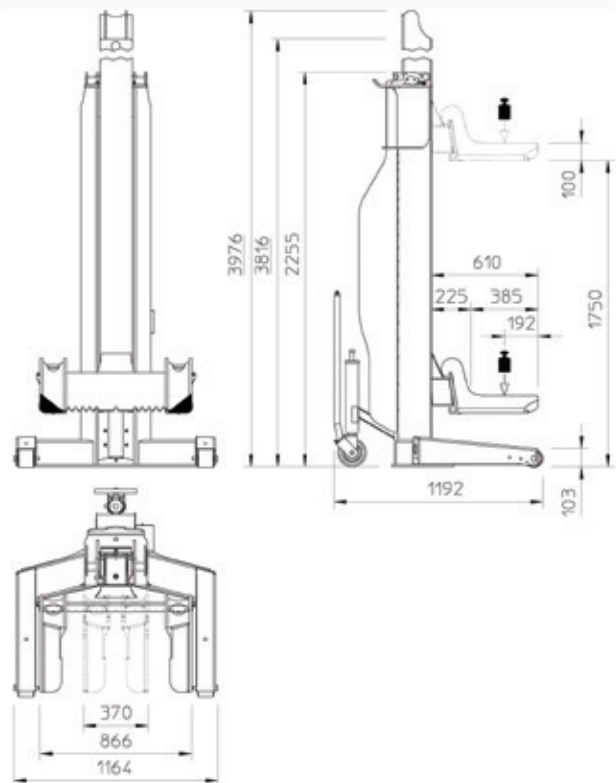


Heavy Vehicle Wash



Jacking Beams

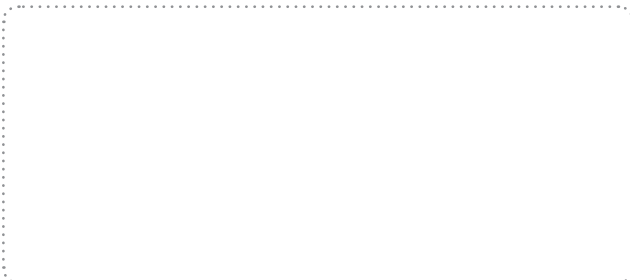
## EHB908 DC Wireless Column Lift



### Technical specifications – Column Lift EHB908V11-DC

Capacity	8200 kg
Wheel fork	Adjustable for wheels 13"-22.5", Ø 550-1140 mm
Stroke	1750 mm
Speed	Lifting time up 90 sec. / down 60 sec.
Drive	Electro-hydraulic
Connection	230V AC, 50Hz (for battery charging)
Operation	Up / Down / Slow / Emergency stop All / Individual / Pair / Group
Weight	540 kg
Protection class	IP 65 / IP44 during charging

### Your Local Distributor



Unique ram design; protected within column.



Adjustable wheel forks